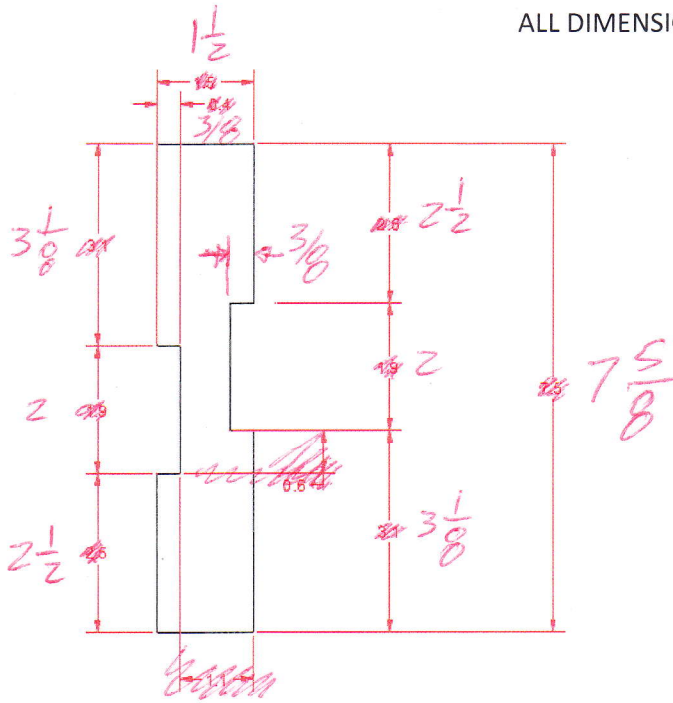
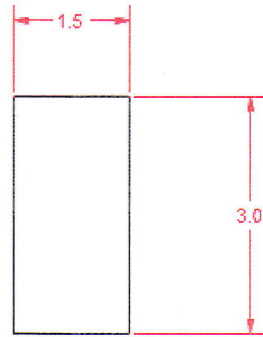


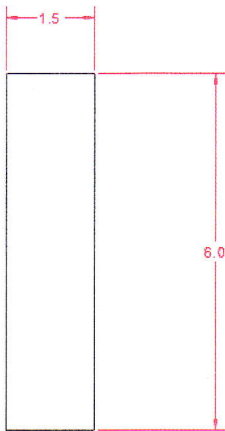
ALL DIMENSIONS IN INCHES



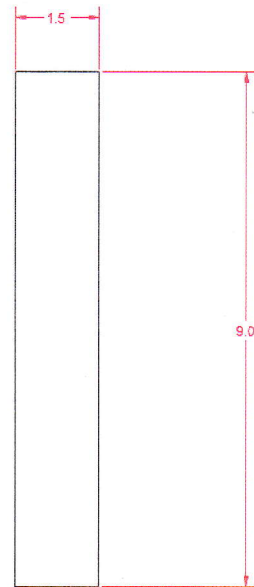
Part A (2x2)



Part B (2x2)

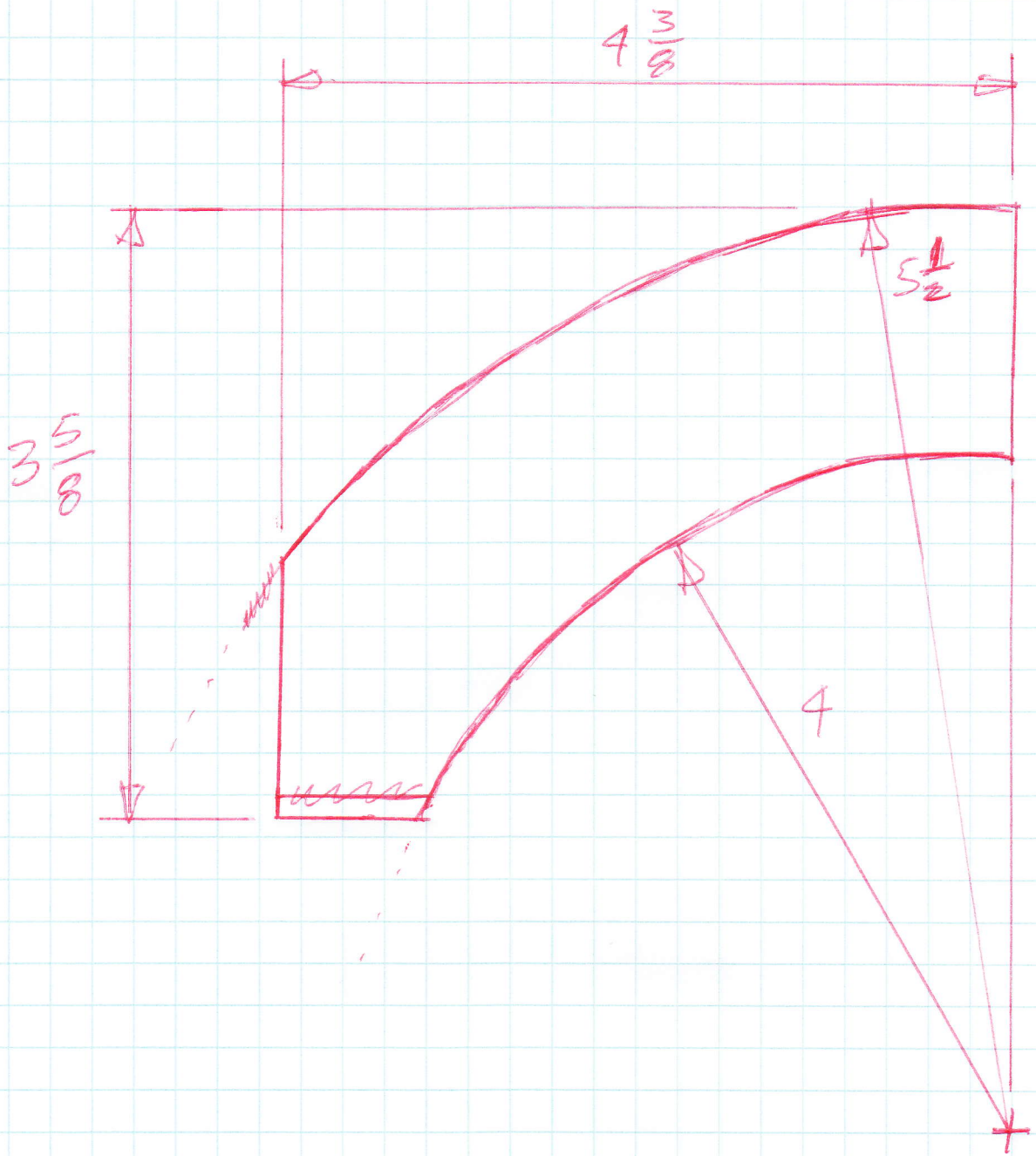


Part C (2x2)



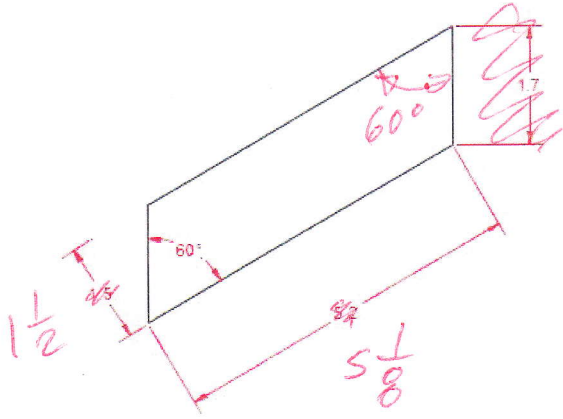
Part D (2x2)

Material: Hard Maple
Notes: Round all corners $\frac{1}{8}$ " radius
All dimensions in inches, $\pm \frac{1}{32}$

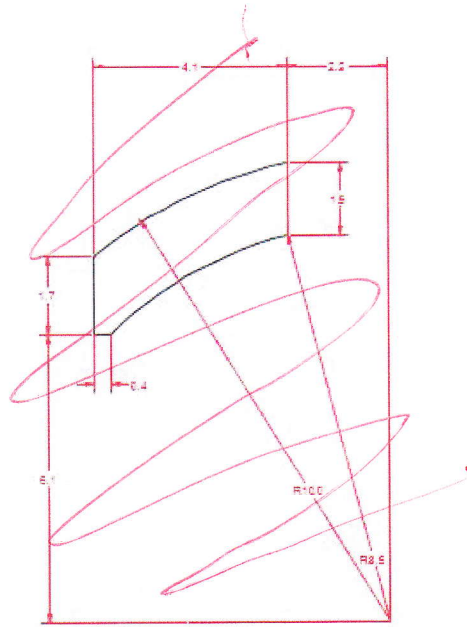


Part F

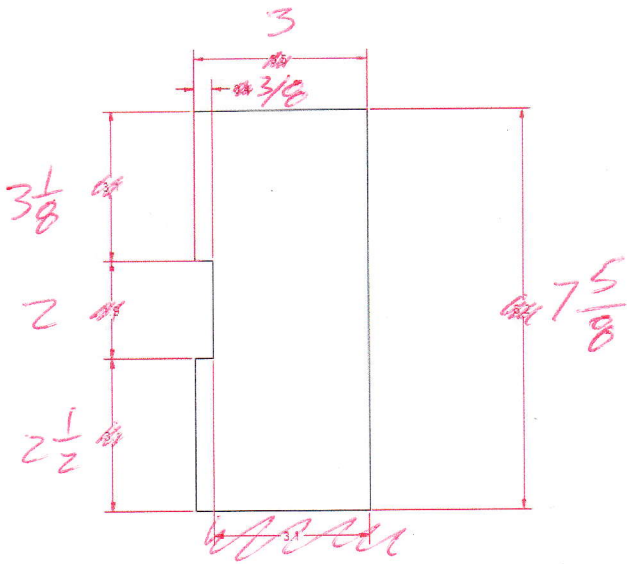
ALL DIMENSIONS IN INCHES



Part E (2x2)



Part F



Part G (2x4)

Parts	No. of pieces per set
A	6 30
B	2 10
C	2 10
D	2 10
E	4 20
F	2 10
G	2 10